



Chenyan™

CHENYAN · WARM THE WORLD

Shanghai Xishui Agriculture & Animal Husbandry Equipment Co.,Ltd



HAVE YOU FOUND

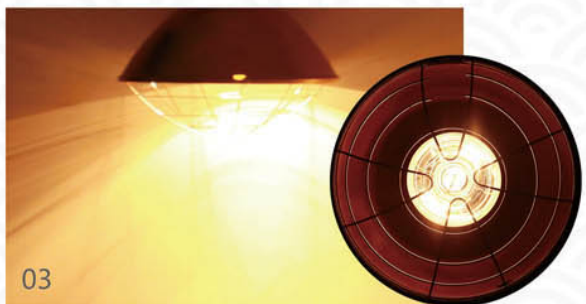
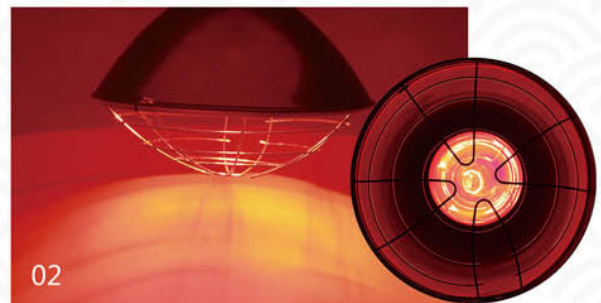
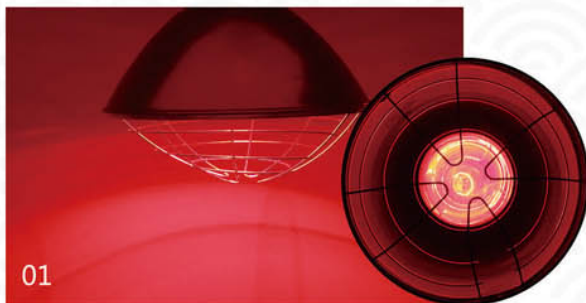
A SUITABLE INFRARED HEATING LAMP FOR YOUR LIVESTOCK FARM ?

As one of sub-brands of XISHUI group, Chenyan specializes in designing & producing infrared heating lamp special for livestock farm. Based on 25 years' experience in animal husbandry industry, Chenyan insists on the concept "safe" and "energy-saving" of XISHUI group, and dedicates to help livestock farms promote the productivity reasonably, economically and effectively.

FEATURES OF BULB



- 6000 hours continuous working time;
- 100% infrared heating source, 96% heat radiation conversion rate;
- Dense steam aluminum reflective layer, completely reflect infrared heating source to object surface, saving about 35% power;
- Hard quartz glass bulb, nonbreakable and with good thermal stability. No explosion risk even been directly sprayed by 0°C water at its highest temperature;
- Bulb head joint applied thread and cement as double-insurance, never peel;
- Filament locates exactly in the bulb centre, good light gather ability and no shadow.



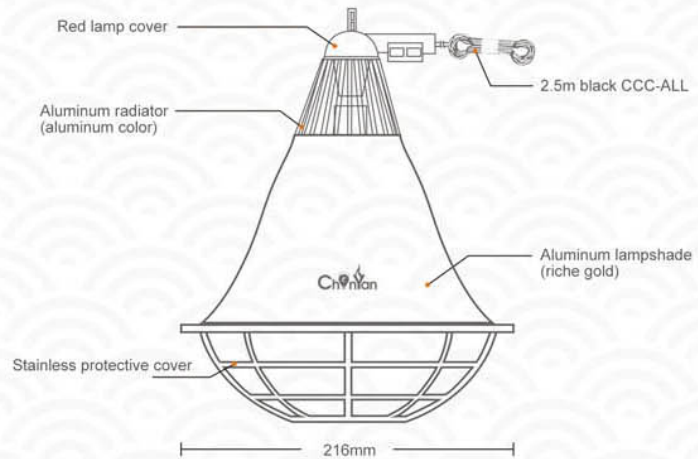
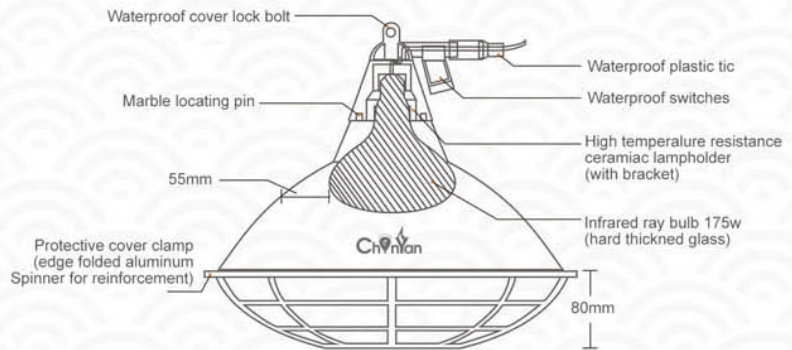
SPECIFICATION OF BULBS

Voltage	Power	Color	Diameter	Base model
120V-130V 220V-240V	100W/ 125W/ 150W/ 175W/ 200W/ 250W/ 375W	Clear / half red/Red	125MM	E26 / E27



FEATURES OF LAMPSHADE

CHENYAN strictly control product quality form monitoring each parts to assembling,ensuring every single lamp is perfect.Each Chenyan lamp is born to care for every animal's healthy growth.



1. Lampshade hold is made of flame retardant material, avoid fire disaster.
2. Three-way switch, temperature is adjustable, 50% power can be saved when choose low temperature mode.
3. Patent radiator can completely release the heat of bulb neck, maximum bulb working time.
4. Inner connection sheet is silver coated, avoid bulb damage caused by poor contact.
5. Lampshade and hold can be easily installed by pressing and fix well.
6. Thickened lampshade body, trumpet-shaped, water proof and insulated, effectively avoid damage by impact.



Chenyan infrared heating lamp protects the health of every animal in your farm.



- +86 21 5999 3726
- +86 21 5999 3763
- vivian@savewater-china.com
- www.savewater-china.com
- Room 101, No.866 Aite Road, Jiangqiao Town, Jiading District, Shanghai, China